

## Product Specification

Product Class: LED LENS

Item No: **SOL-LS26370-64H1-157**


Material: PC (UV)

Certification: RoHS

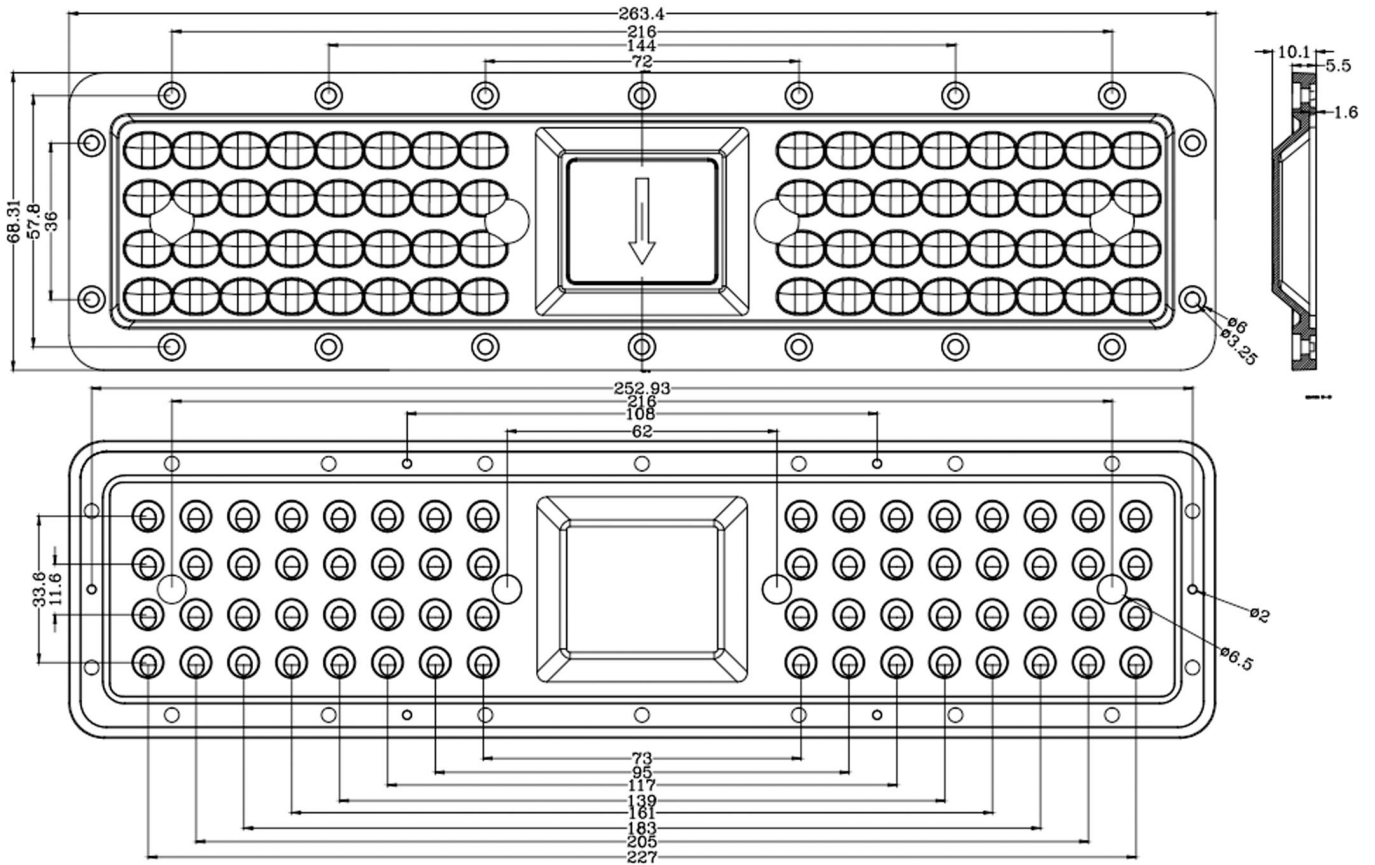
## Content

|                        |   |
|------------------------|---|
| Specification-----     | 3 |
| 2D Drawing-----        | 4 |
| Optical Datasheet----- | 5 |
| Packing-----           | 6 |
| Application Notes----- | 7 |

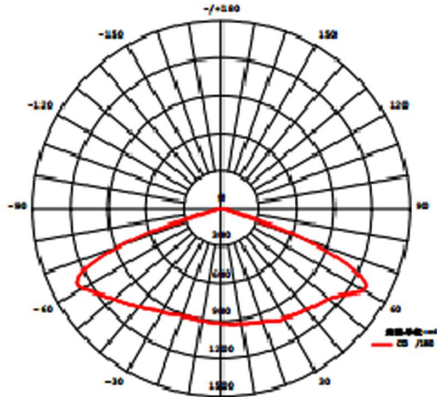
## Specification

| Item No              | Picture  | Size   | Matched LED      | Lighting Application |
|----------------------|--|--|------------------|----------------------|
| SOL-LS26370-64H1-157 |  | Diameter:<br>263*70mm<br><br>Height:10.1mm<br><br>FWHM:157X85° | 2835<br><br>3030 | Street light         |

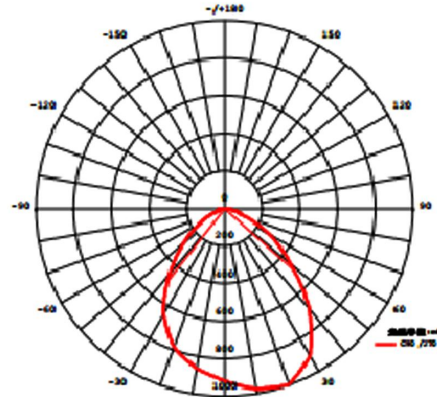
## Drawing



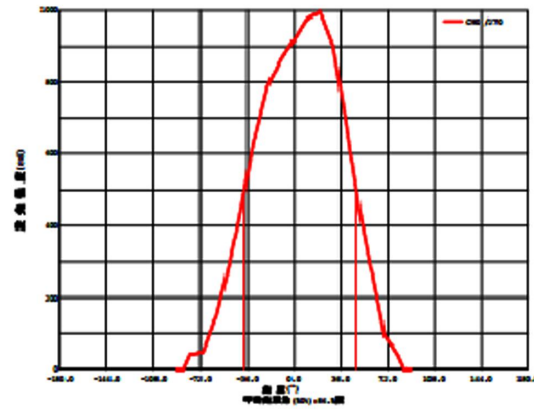
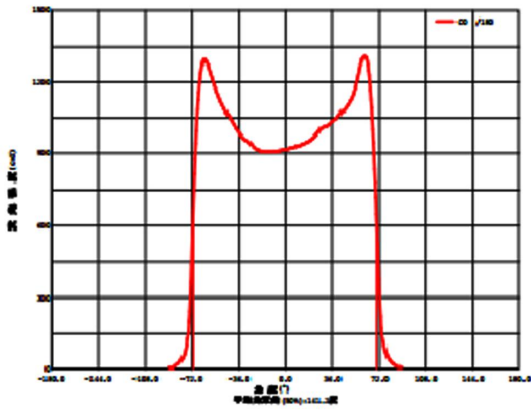
## Optical Test Report



光强分布曲线(直角坐标系)

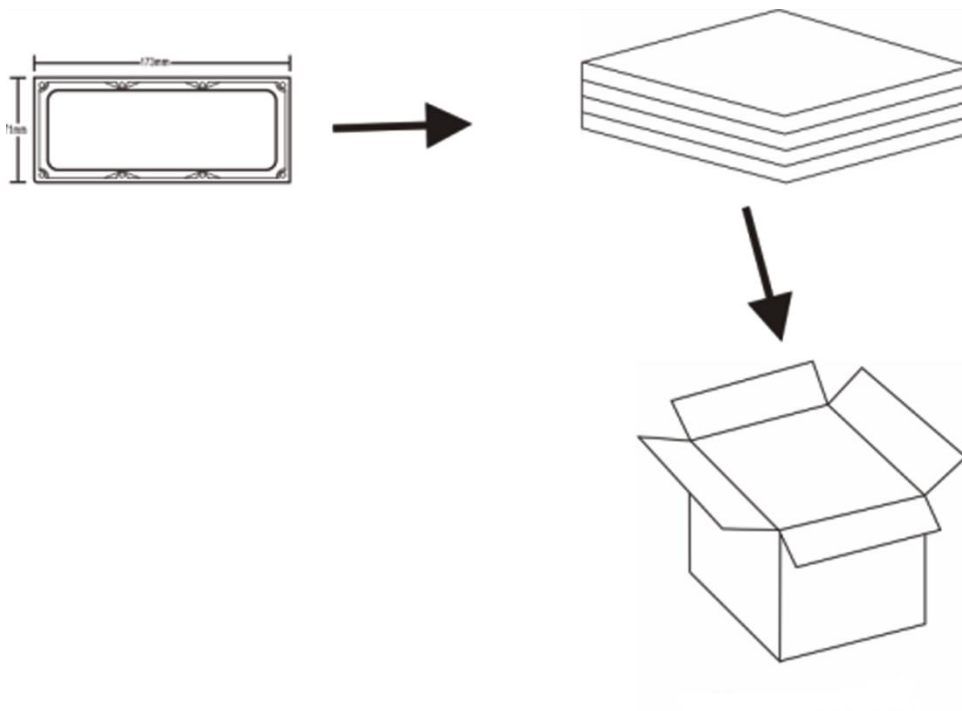


光强分布曲线(直角坐标系)



## Packing

| Material         | Size                     | Packing Instruction           |
|------------------|--------------------------|-------------------------------|
| EPE              | 315*230mm                | 44PCS/1 Box<br>4 Box/1 Carton |
| Plastic bag      | 125*340mm                |                               |
| White Paperboard | A level; 400g; 310*235mm |                               |
| Box              | 335*245*105mm            |                               |
| Carton           | A=B 510*330*255mm        |                               |



## Application Notes

- (1) Please use a litter water and soft fabric (air-laid paper) to clean the product if necessary.
- (2) Forbid to use industrial solvent to clean the product, such as alcohol.
- (3) The working temperature is  $-35^{\circ}\text{C}\sim+120^{\circ}\text{C}$ .
- (4) Storage environment temperature is  $0^{\circ}\text{C}\sim40^{\circ}\text{C}$ , humidity is 30%~95%.
- (5) The product has the function to change the ray of light, it is made of optical material, the effect shall be influenced once pollute. Please do not open the packing before use it, to avoid the dust pollution.
- (6) Protect the product from the sun and other ultraviolet ray, as these will lead to aging, change color, crack, etc.
- (7) Please ware gloves once install the product, avoid to abrasion the product surface.
- (8) Forbid to use acidic or alkaline solution touch the product, avoid to generate the chemical reactions.

# Thank You!

