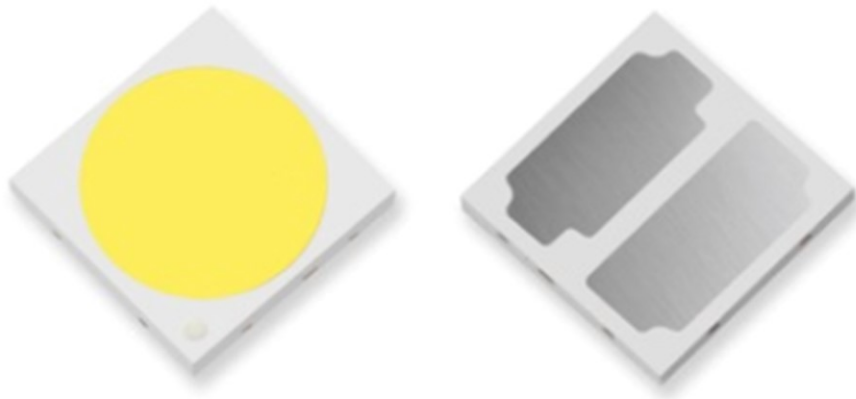


SMD 3030 1W 18V Series Data Sheet

SOL-3030X100-18



SOL-3030W100-18

Warm White

SOL-3030N100-18

Nature White

SOL-3030C100-18

Cool White

➤ Features:

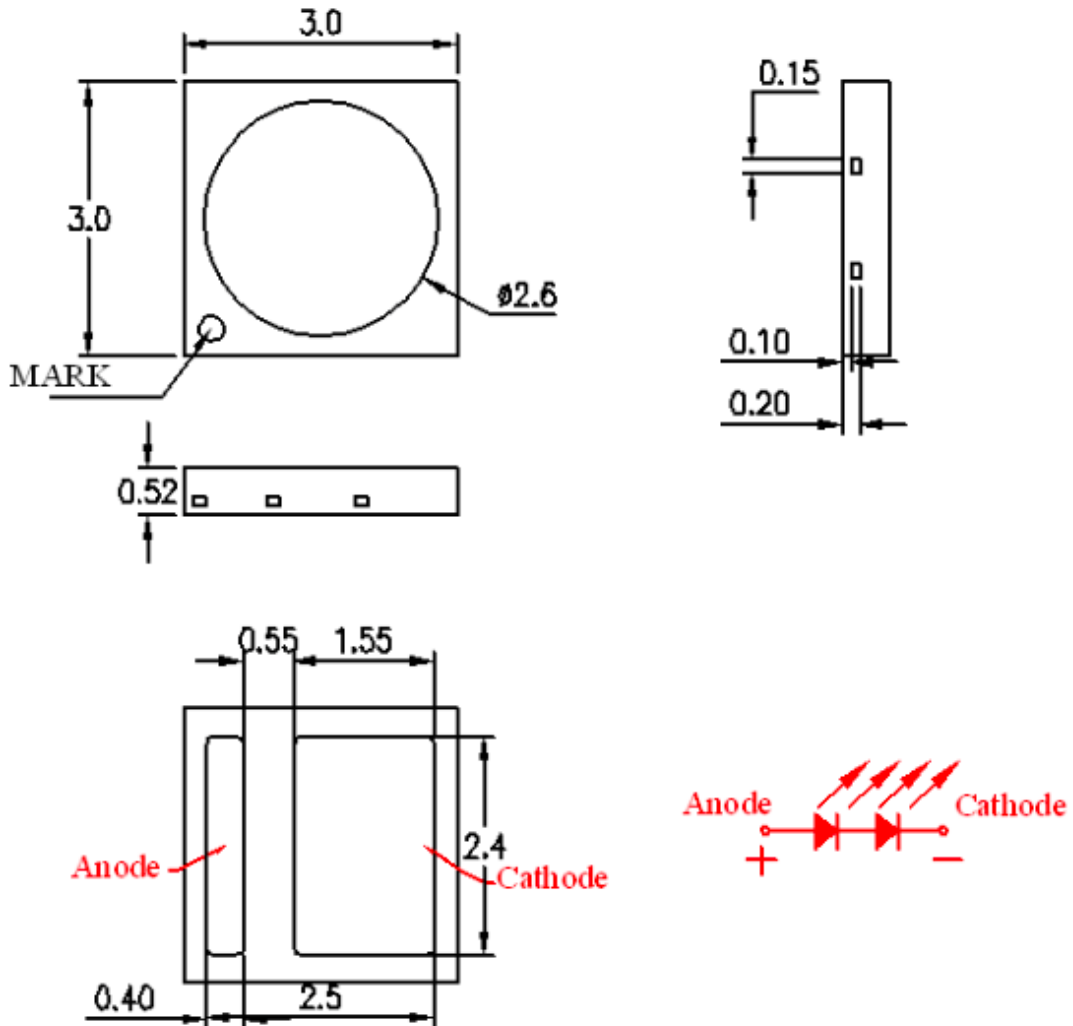
- Super high efficiency
- High reliability performance
- Viewing angle 120°
- Suitable for all SMT assembly and solder process
- Complied with RoHS directive

➤ Application:

- Indoor lighting
- Outdoor lighting
- Entertainment lighting
- Commercial lighting



➤ Outline Dimensions:



Soldering pads reference

Note:

- Tolerance is ± 0.1 mm

➤ Flux Characteristics, T_j=25°C:

Part Number	CCT (K)or Wavelength(nm)		LuminousFlux@60mA (Lm)		Viewing Angle (degrees) 2 θ _{1/2}
	Min.	Max.	Min.	Max.	
	SOL-3030W100-18	2700K	3500K	110LM	
SOL-3030N100-18	3500K	4500K	120LM	150LM	120
SOL-3030C100-18	5000K	6500K	120LM	150LM	120

Note:

- SOL maintains a tolerance of ±1nm for dominant wavelength measurements.
- SOL maintains a tolerance of ±^[L]_[SEP]5% for CCT measurements.
- SOL maintains a tolerance of ± 5% on flux and power measurements.^[L]_[SEP]

➤ Electrical Characteristics, T_j=25°C:

Part Number	Forward Voltage V _F (V) @60mA		
	Min.	Typ.	Max.
SOL-3030W100-18	16.8	18.0	19.2
SOL-3030N100-18	16.8	18.0	19.2
SOL-3030C100-18	16.8	18.0	19.2

Note:

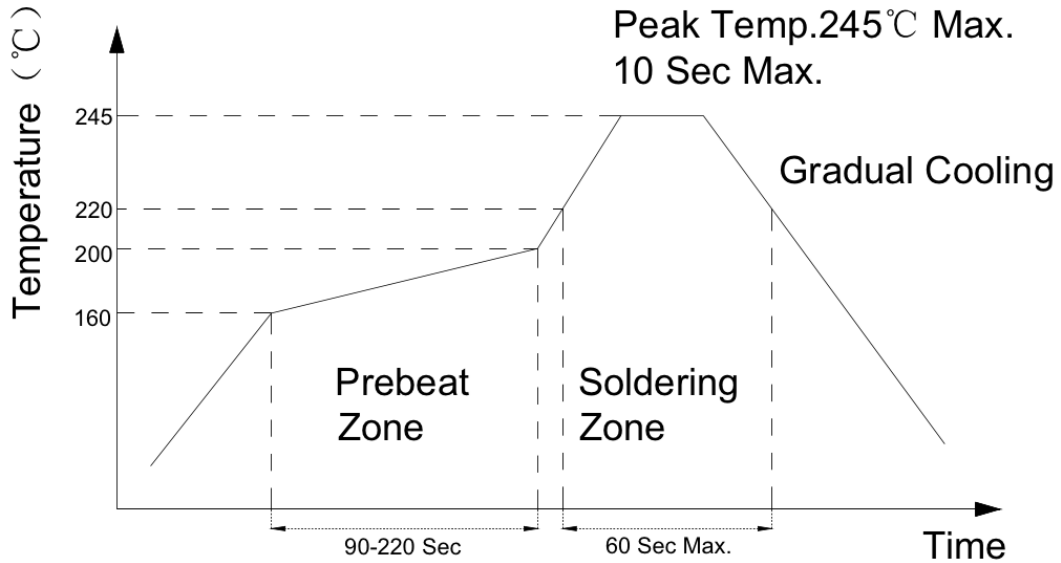
- SOL maintains a tolerance of ±0.1v for Voltage measurements.

➤ Absolute Maximum Ratings:

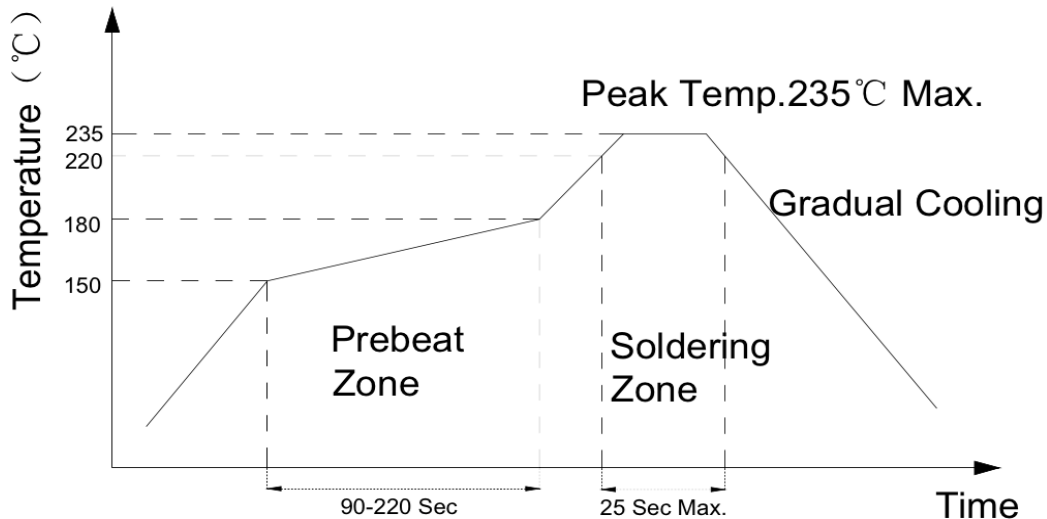
Parameter	Symbol	Test Condition	Value		Unit
			Min.	Max.	
Power Dissipation	Pd			750	mW
Reverse Voltage	VR	IR = 30 μ A	5		V
Pulse Current	IFp	Duty=0.1,1kHz		500	mA
Forward Current	IFm			200	mA
Operating Temperature	Topr		-40	+85	$^{\circ}$ C
Storage Temperature	Tstr		-40	+100	$^{\circ}$ C

➤ IR reflow soldering Profile :

Lead Free solder



Lead solder



NOTES:

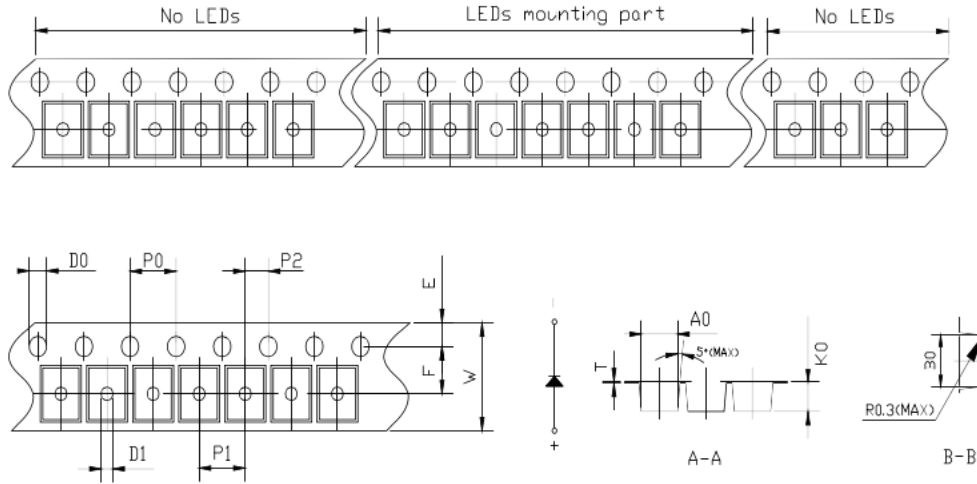
- We recommend the reflow temperature $240^{\circ}\text{C} \pm 5^{\circ}\text{C}$.
- Don't cause stress to the silicone resin while it is exposed to high temperature.
- Number of reflow process shall be 1 time.

➤ Test items and results of reliability:

Test Item	Test Conditions	Duration/ Cycle	Number of damage	Reference
Temperature	-40° C 30min ↑↓25° C(2min) 100° C 30min	100 times	0/100	JEITA ED-4701300 303
Thermal Shock	40° C 30min ↑↓ 5sec 100° C 30min	100 times	0/100	JEITA ED-4701200 303
High Temperature Storage	Ta=100° C	1000 hours	0/100	EIAJED-4701200 201
Humidity Heat Storage	Ta=85° C RH=85%	1000 hours	0/100	EIAJED-4701100 103
Low Temperature Storage	Ta=-40° C	1000 hours	0/100	EIAJED-4701200 202
Room Temperature Test	Ta=25° C IF=60mA	1000 hours	0/100	Tested with SOL standard
High Humidity Heat Test	60° C RH=90% IF=60mA	1000 hours	0/100	Tested with SOL standard
Low Temperature Test	Ta=-40° C IF=60mA	1000 hours	0/100	Tested with SOL standard
ESD(HBM)	-4KV at 1.5KΩ; 100pF	3 times	0/100	MIL-STD-883D

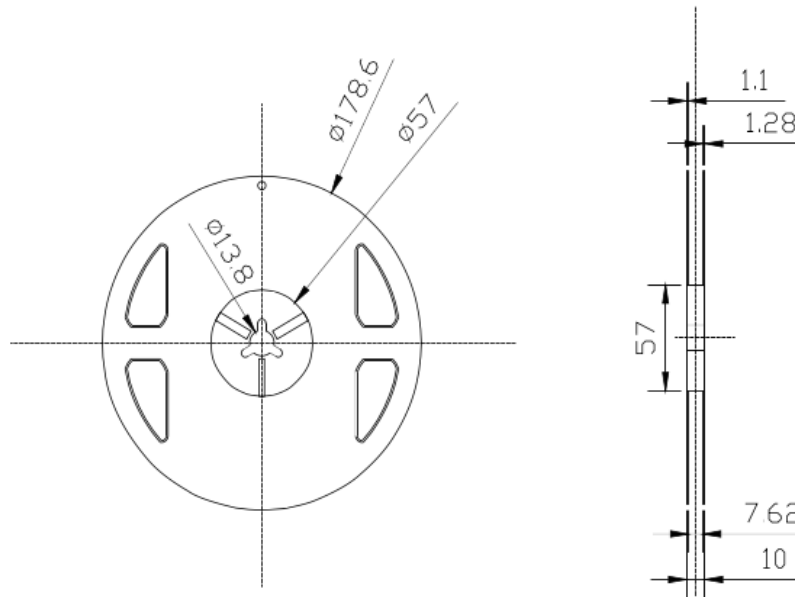
➤ Packaging:

1. Dimension of Tape (Unit: mm)

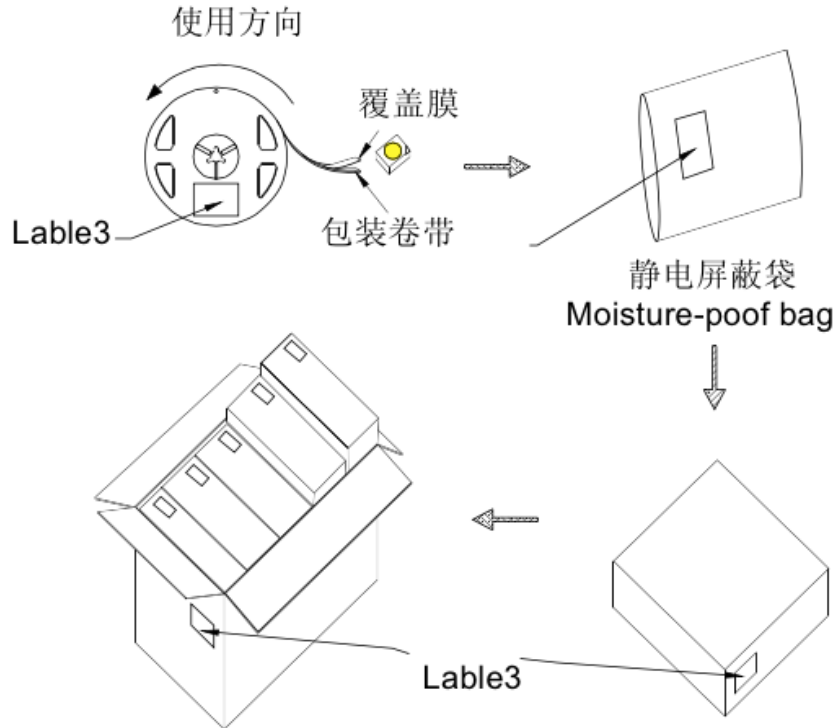


symbol	A0	B0	K0	P0	P1	P2	model	unit
spec	3.15 ± 0.10	3.80 ± 0.10	2.10 ± 0.10	4.00 ± 0.10	4.00 ± 0.10	2.00 ± 0.10		
symbol	W	T	E	F	D0	D1	2835	mm
spec	8.00 ± 0.10	0.235 ± 0.05	1.75 ± 0.10	3.50 ± 0.10	$1.50^{+0.10}_{-0.00}$	$1.00^{+0.10}_{0.00}$		

2. Dimension of Reel (Unit: mm)



3.Dimension of Package (Unit: mm)



每个外箱装5个内箱
外箱尺寸=425*245*273mm
Outside box
Maximums for inside
boses

每盒5袋
内箱尺寸：247*230*75
Inside box Maximums seven

Thank You!

