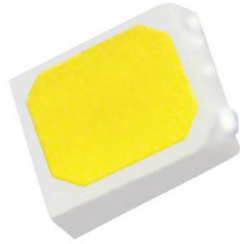


SMD 2835 0.5W HV Series Data Sheet SOL-2835X050-XX



SOL-2835X050-09

9V WHITE

SOL-2835X050-18

18V WHITE

SOL-2835X050-36

36V WHITE

➤ Features:

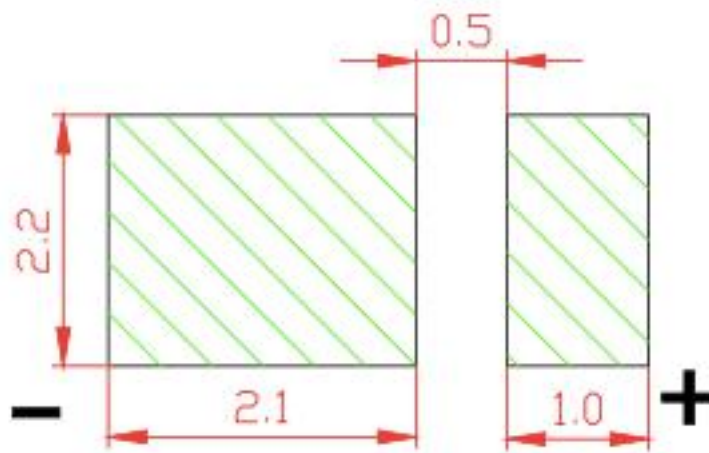
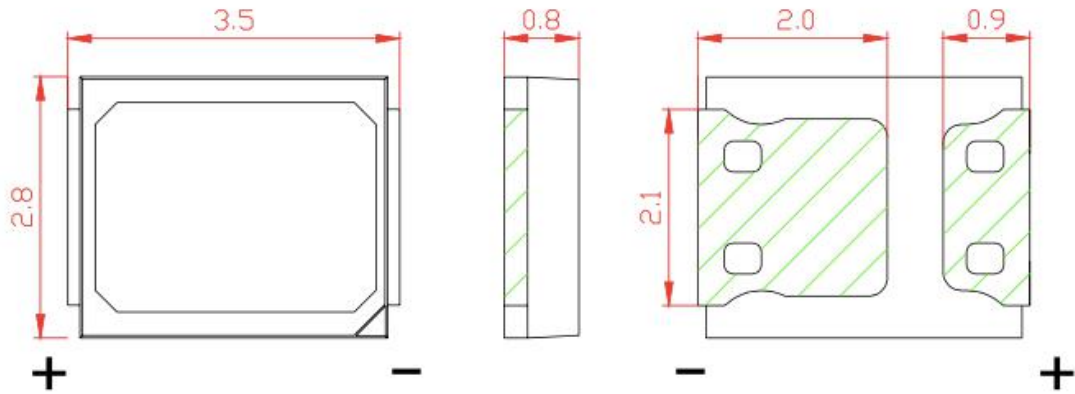
- Super high efficiency
- High reliability performance
- Viewing angle 120°
- Suitable for all SMT assembly and solder process
- Complied with RoHS directive

➤ Application:

- Indoor lighting
- Outdoor lighting
- Entertainment lighting
- Commercial lighting



➤ Outline Dimensions:



Soldering pads reference

Note:

- Tolerance is $\pm 0.1\text{mm}$

➤ Flux Characteristics, T_j=25°C:

1, SOL-2835X050-09 9V 60MA

Part Number	CCT (K)or Wavelength(nm)		LuminousFlux@60mA (Lm)		Viewing Angle (degrees) 2 θ _{1/2}
	Min.	Max.	Min.	Max.	
SOL-2835W050-09	2700K	3500K	50LM	70LM	120
SOL-2835N050-09	3500K	4500K	55LM	75LM	120
SOL-2835C050-09	5000K	10000K	55LM	75LM	120

2, SOL-2835X050-18 18V 30MA

Part Number	CCT (K)or Wavelength(nm)		LuminousFlux@30mA (Lm)		Viewing Angle (degrees) 2 θ _{1/2}
	Min.	Max.	Min.	Max.	
SOL-2835W050-18	2700K	3500K	55LM	75LM	120
SOL-2835N050-18	3500K	4500K	60LM	80LM	120
SOL-2835C050-18	5000K	10000K	60LM	80LM	120

3, SOL-2835X050-36 36V 15MA

Part Number	CCT (K)or Wavelength(nm)		LuminousFlux@15mA (Lm)		Viewing Angle (degrees) $2\theta_{1/2}$
	Min.	Max.	Min.	Max.	
SOL-2835W050-36	2700K	3500K	50LM	70LM	120
SOL-2835N050-36	3500K	4500K	55LM	75LM	120
SOL-2835C050-36	5000K	10000K	55LM	75LM	120

Note:

- SOL maintains a tolerance of $\pm 1\text{nm}$ for dominant wavelength measurements.
- SOL maintains a tolerance of $\pm_{SEP} 5\%$ for CCT measurements.
- SOL maintains a tolerance of $\pm 5\%$ on flux and power measurements \pm_{SEP} .

➤ Electrical Characteristics, T_j=25°C:

Part Number	Forward Voltage V _F (V) @60mA		
	Min.	Typ.	Max.
SOL-2835X050-09	8.4	9.0	9.8

Part Number	Forward Voltage V _F (V) @30mA		
	Min.	Typ.	Max.
SOL-2835X050-18	16.8	18.0	19.2

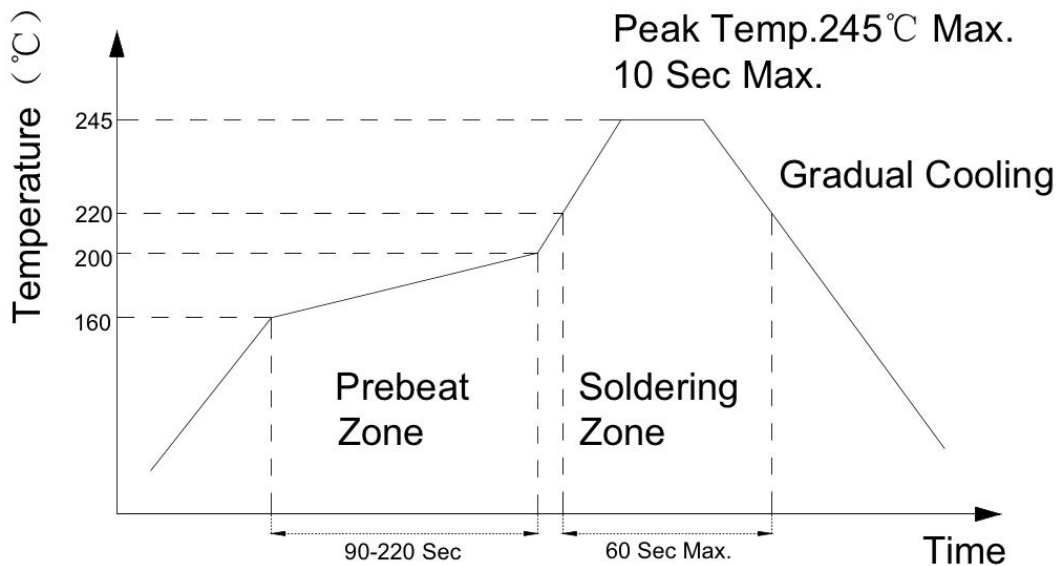
Part Number	Forward Voltage V _F (V) @15mA		
	Min.	Typ.	Max.
SOL-2835X050-36	33.6	36.0	38.4

Note:

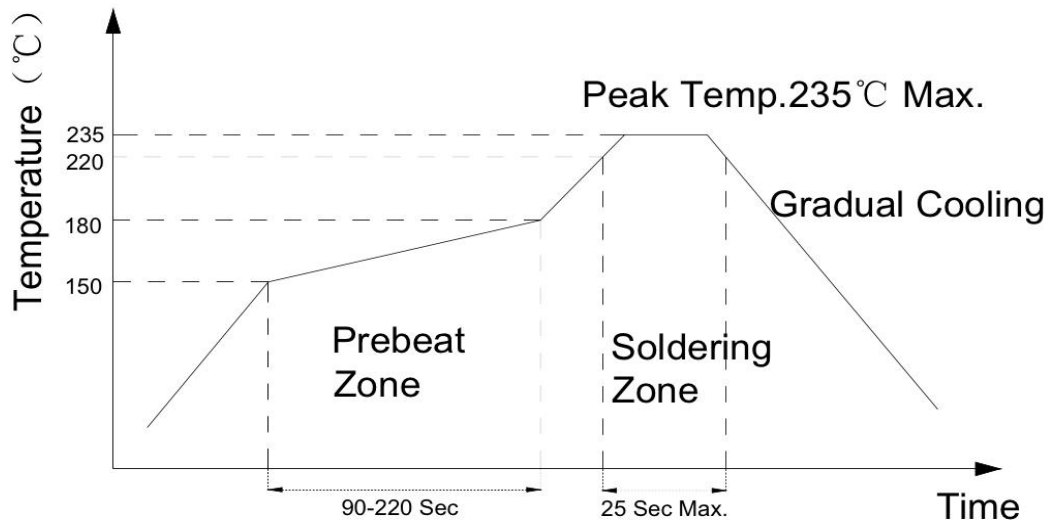
- SOL maintains a tolerance of ±0.1v for Voltage measurements.

➤ IR reflow soldering Profile:

Lead Free solder



Lead solder



NOTES:

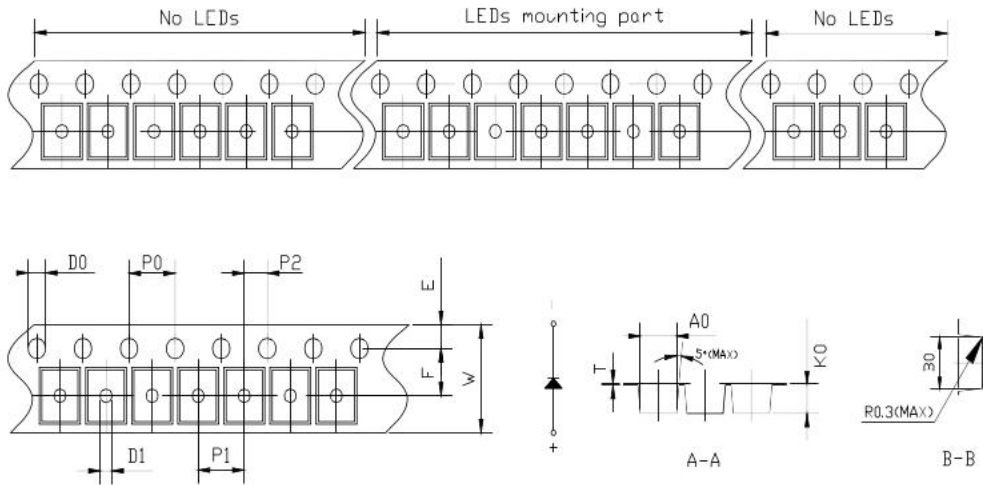
- We recommend the reflow temperature $240^{\circ}\text{C} \pm 5^{\circ}\text{C}$.
- Don't cause stress to the silicone resin while it is exposed to high temperature.
- Number of reflow process shall be 1 time.

➤ Test items and results of reliability:

Test Item	Test Conditions	Duration/ Cycle	Number of damage	Reference
Temperature	-40° C 30min ↑↓25° C(2min) 100° C 30min	100 times	0/100	JEITA ED-4701300 303
Thermal Shock	40° C 30min ↑↓ 5sec 100° C 30min	100 times	0/100	JEITA ED-4701200 303
High Temperature Storage	Ta=100° C	1000 hours	0/100	EIAJED-4701200 201
Humidity Heat Storage	Ta=85° C RH=85%	1000 hours	0/100	EIAJED-4701100 103
Low Temperature Storage	Ta=-40° C	1000 hours	0/100	EIAJED-4701200 202
Room Temperature Test	Ta=25° C IF=60mA	1000 hours	0/100	Tested with SOL standard
High Humidity Heat Test	60° C RH=90% IF=60mA	1000 hours	0/100	Tested with SOL standard
Low Temperature Test	Ta=-40° C IF=60mA	1000 hours	0/100	Tested with SOL standard
ESD(HBM)	-4KV at 1.5KΩ; 100pF	3 times	0/100	MIL-STD-883D

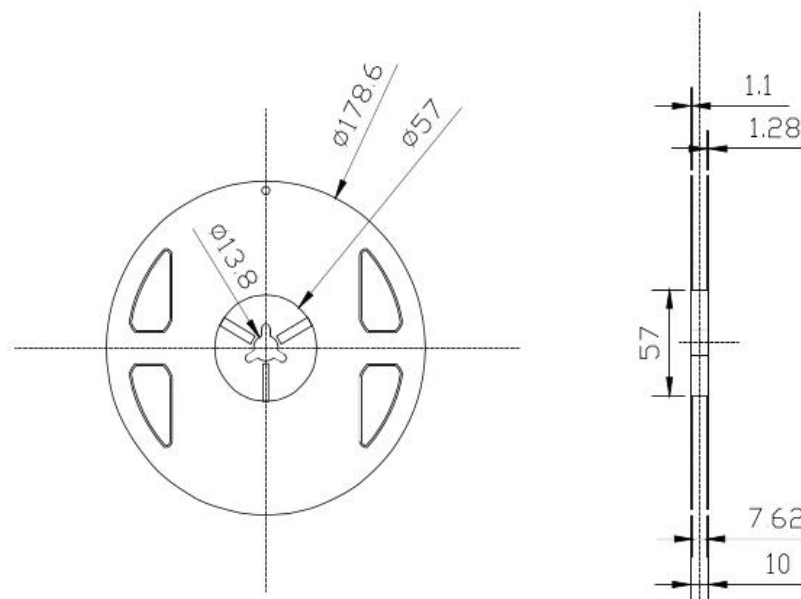
➤ Packaging:

1. Dimension of Tape (Unit: mm)

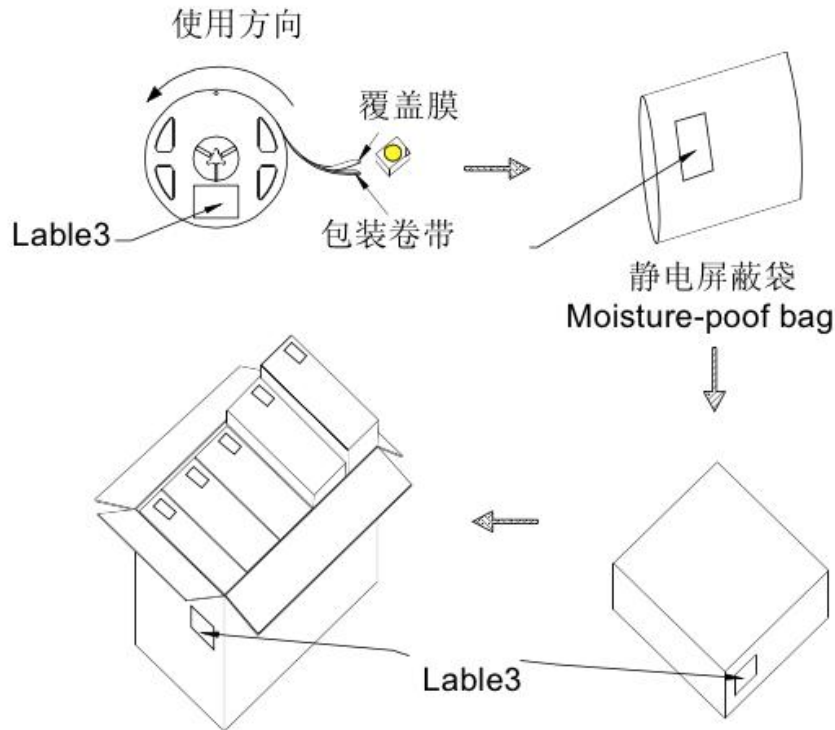


symbol	A0	B0	K0	P0	P1	P2	mode	unit
spec	3.15±0.10	3.80±0.10	2.10±0.10	4.00±0.10	4.00±0.10	2.00±0.10		
symbol	W	T	E	F	D0	D1	2835	mm
spec	8.00±0.10	0.235±0.05	1.75±0.10	3.50±0.10	1.50 ^{+0.10} _{-0.00}	1.00 ^{+0.10} _{0.00}		

2. Dimension of Reel (Unit: mm)



3.Dimension of Package (Unit: mm)



每个外箱装5个内箱
外箱尺寸=425*245*273mm
Outside box
Maximums for inside
booses

每盒5袋
内箱尺寸：247*230*75
Inside box Maximums seven

Thank You!

