

## UV SMD 2835 0.5W Series Data Sheet

### SOL-2835UA050-XX



**SOL-2835UA050-01**

**UVA 365-375NM**

**SOL-2835UA050-02**

**UVA 380-390NM**

**SOL-2835UA050-03**

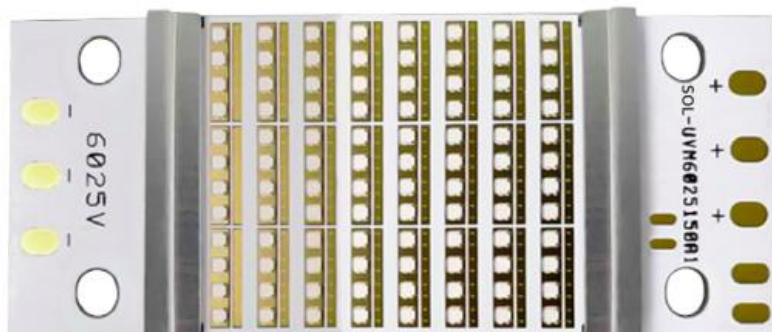
**UVA 390-410NM**

## ➤ Features:

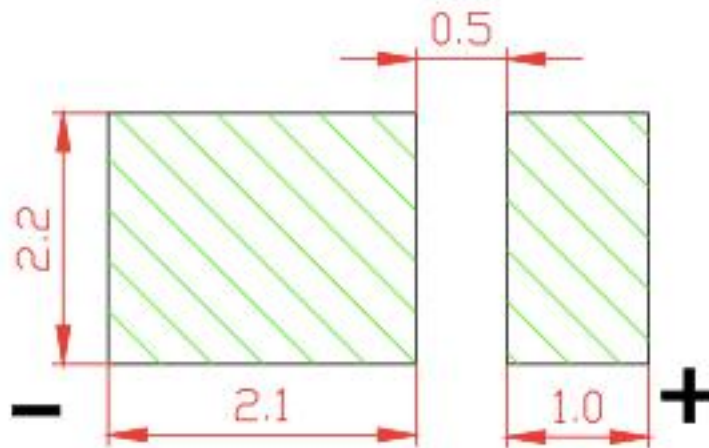
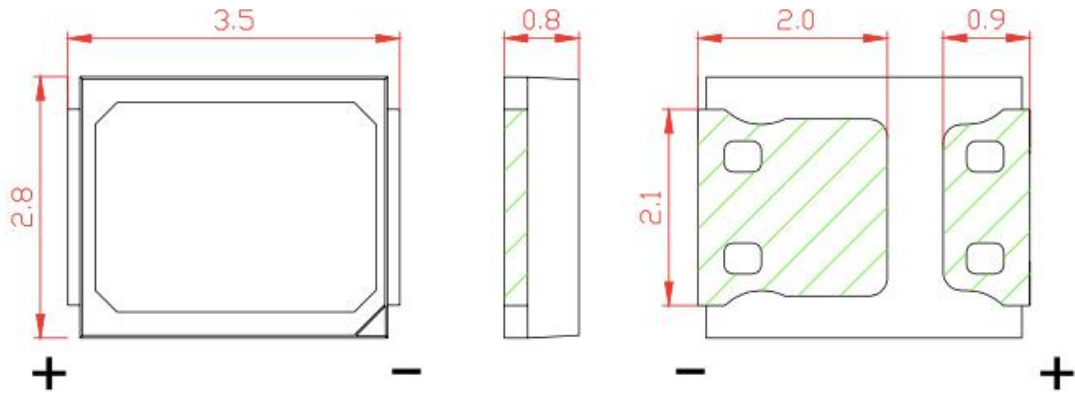
- Mid power UVA LED
- Pb free
- High reliability performance
- Viewing angle 120°
- Suitable for all SMT assembly and solder process
- Complied with RoHS directive

## ➤ Application:

- Curing
- Exposure
- Medical
- Security



## ➤ Outline Dimensions:



Soldering pads reference

## Note:

- Tolerance is  $\pm 0.1$ mm

## ➤ Flux Characteristics, T<sub>j</sub>=25°C:

Part Number	Wavelength(nm)		Radiant Flux@150mA (mW )		Viewing Angle (degrees) 2 θ <sub>1/2</sub>
	Min.	Max.	Min.	Max.	
SOL-2835UA050-01	365	375	130	160	120
SOL-2835UA050-02	380	390	140	170	120
SOL-2835UA050-03	390	410	150	180	120

Note:

- SOL maintains a tolerance of ±1nm for dominant wavelength measurements.
- SOL maintains a tolerance of ± 5% on flux and power measurements

## ➤ Electrical Characteristics, T<sub>j</sub>=25°C:

Part Number	Forward Voltage V <sub>F</sub> (V) @150mA		
	Min.	Typ.	Max.
SOL-2835UA050-01	3.4	--	4
SOL-2835UA050-02	3.2	--	3.8
SOL-2835UA050-03	3.0	--	3.6

Note:

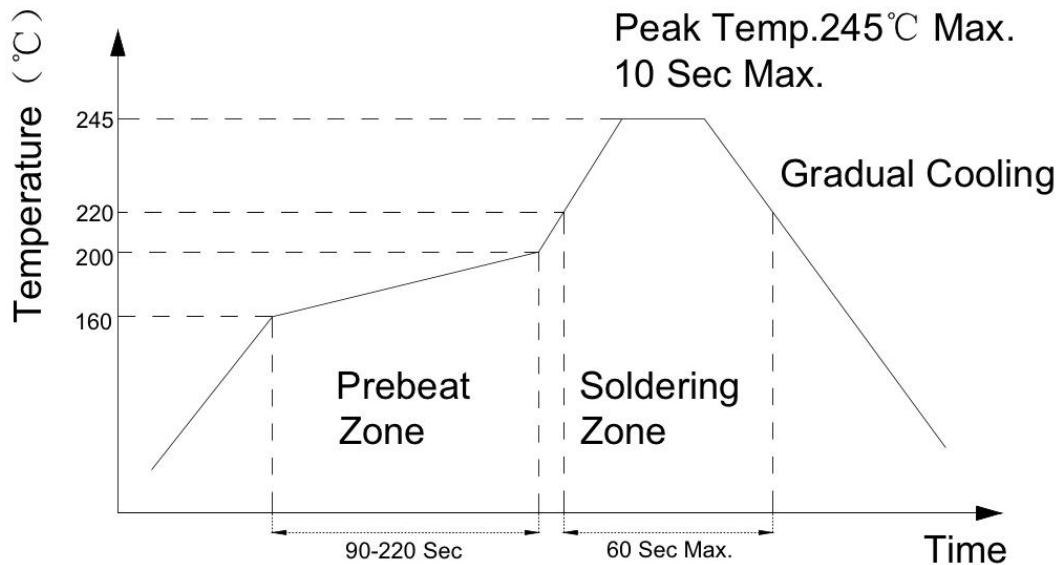
- SOL maintains a tolerance of ±0.1v for Voltage measurements.

## ➤ Absolute Maximum Ratings

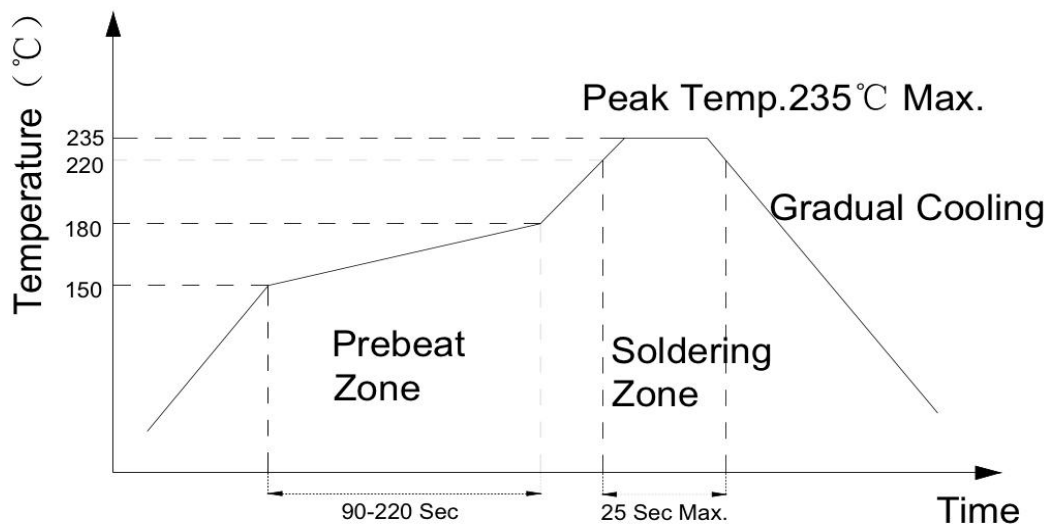
Parameter	Symbol	Test Condition	Value		Unit
			Min.	Max.	
Power Dissipation	Pd			600	mW
Reverse Voltage	VR	IR = 30μA	5		V
Pulse Current	IFp	Duty=0.1,1kHz		180	mA
Forward Current	IFm			150	mA
Operating Temperature	Topr		-40	+85	°C
Storage Temperature	Tstr		-40	+100	°C

## ➤ IR reflow soldering Profile:

Lead Free solder



Lead solder



### NOTES:

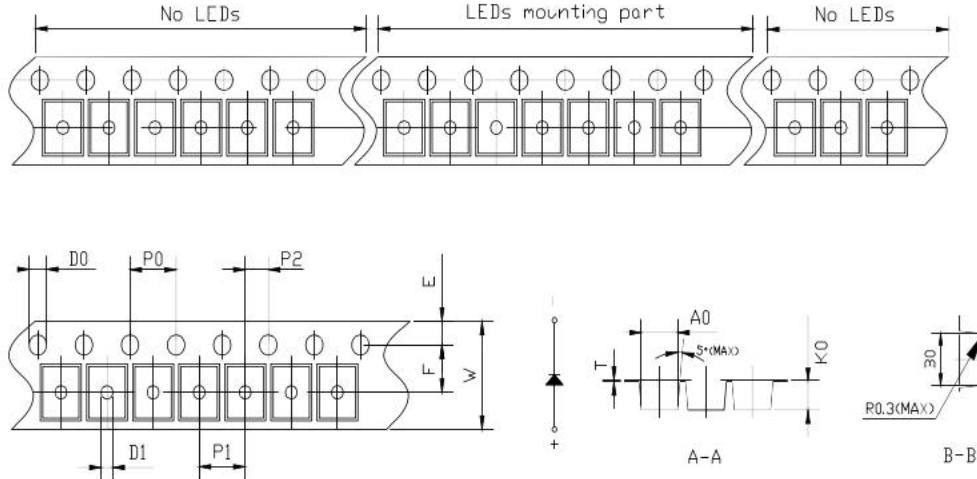
- We recommend the reflow temperature  $240^{\circ}\text{C} \pm 5^{\circ}\text{C}$ .
- Don't cause stress to the silicone resin while it is exposed to high temperature.
- Number of reflow process shall be 1 time.

## ➤ Test items and results of reliability:

Test Item	Test Conditions	Duration/ Cycle	Number of damage	Reference
Temperature	-40° C 30min ↑↓25° C(2min) 100° C 30min	100 times	0/100	JEITA ED-4701300 303
Thermal Shock	40° C 30min ↑↓ 5sec 100° C 30min	100 times	0/100	JEITA ED-4701200 303
High Temperature Storage	Ta=100° C	1000 hours	0/100	EIAJED-4701200 201
Humidity Heat Storage	Ta=85° C RH=85%	1000 hours	0/100	EIAJED-4701100 103
Low Temperature Storage	Ta=-40° C	1000 hours	0/100	EIAJED-4701200 202
Room Temperature Test	Ta=25° C IF=60mA	1000 hours	0/100	Tested with SOL standard
High Humidity Heat Test	60° C RH=90% IF=60mA	1000 hours	0/100	Tested with SOL standard
Low Temperature Test	Ta=-40° C IF=60mA	1000 hours	0/100	Tested with SOL standard
ESD(HBM)	-4KV at 1.5KΩ; 100pF	3 times	0/100	MIL-STD-883D

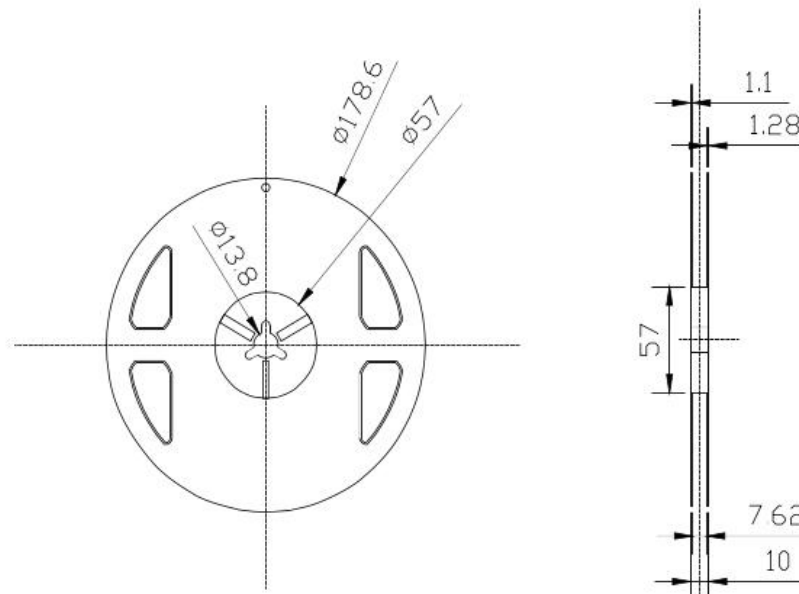
## ➤ Packaging:

### 1. Dimension of Tape (Unit: mm)



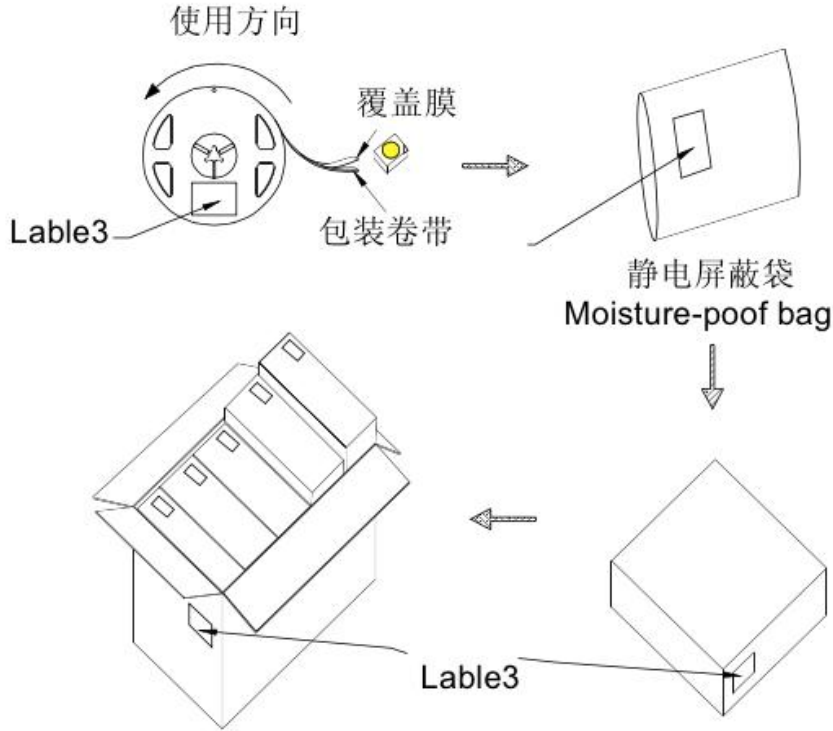
symbol	A0	B0	K0	P0	P1	P2	mode	unit
spec	3.15±0.10	3.80±0.10	2.10±0.10	4.00±0.10	4.00±0.10	2.00±0.10		
symbol	W	T	E	F	D0	D1	2835	mm
spec	8.00±0.10	0.235±0.05	1.75±0.10	3.50±0.10	1.50 <sup>+0.10</sup> <sub>-0.00</sub>	1.00 <sup>+0.10</sup> <sub>0.00</sub>		

### 2.Dimension of Reel (Unit: mm)





### 3.Dimension of Package (Unit: mm)



每个外箱装5个内箱  
外箱尺寸=425\*245\*273mm  
Outside box  
Maximums for inside  
booses

每盒5袋  
内箱尺寸：247\*230\*75  
Inside box Maximums seven

## Thank You!

